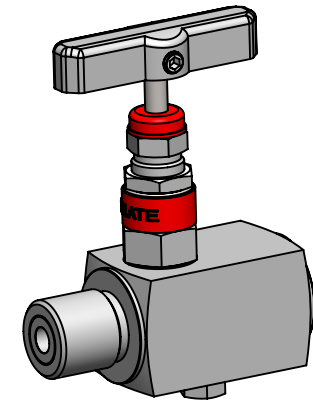


SECTION A-A



| PART NO. | PART NAME | Material | QTY. |
|----------|------------------|-----------------|------|
| 1 | Body | ASTM A479 SS316 | 1 |
| 2 | Drain Plug | ASTM A479 SS316 | 1 |
| 3 | Gland Body | ASTM A479 SS316 | 1 |
| 4 | Stem | ASTM A479 SS316 | 1 |
| 5 | Retainer | ASTM A479 SS316 | 1 |
| 6 | Bottom Washer | ASTM A479 SS316 | 1 |
| 7 | Packing | PTFE | 2 |
| 8 | Vee Tip | ASTM A564 SS174 | 1 |
| 9 | Top Washer | ASTM A479 SS316 | 1 |
| 10 | Thrust Ring | ASTM A240 SS316 | 1 |
| 11 | Check Nut | ASTM A479 SS316 | 1 |
| 12 | Handle | ASTM A351 CF8M | 1 |
| 13 | Socket Set Screw | ASTM A193 B8M | 1 |

FEATURES

NON ROTATING VEE TIP PREVENTS GALLING AND PROMOTES REPETITIVE SHUT-OFF.
 PACKING BELOW THREADS / BACK SEATS ARRANGEMENT. MOLLY ANTI-SEIZE LUBRICANT.
 WITH VEE TIP DESIGN WHICH FORMS A BEARING JOINT WITH THE STEM ELIMINATE.
 ROTATING BETWEEN VEE TIP & SEAT AT CLOSE, THIS PREVENTS SCORING & GALLING UP THE
 VALVE SEATS & INSURE LONG LIFE IN REPETITIVE SHUT-OFF.
 BACK SEATED STEM
 BUBBLE TIGHT SHUT OFF

TESTING

PNEUMATIC TEST: - EACH VALVE IS TESTED WITH NITROGEN AT 2000PSI
 IN ACCORDANCE WITH MSS-SP-61 FOR SEAT AND PACKING LEAKAGE.
 HYDRO TEST: - PERFORMED WITH PURE WATER IN ACCORDANCE WITH MSS-SP-61, BODY
 TESTED AT 1.5 TIMES & SEAT LEAKAGE TESTED AT 1.1 TIMES OF THE WORKING PRESSURE.

DESIGN STANDARD

PRESSURE & TEMPERATURE RATING ARE SELECTED FROM ANSI B16.34
 STANDARD CLASS VALVES BASED ON ANSI B16.34 CLASS 2500 OPTIONAL
 SOUR GAS SERVICE CONFIRMS TO NACE MR-01-75

NOTES:-

1. ALL DIMENSIONS ARE IN MM. UNLESS SPECIFIED.
2. UNSPECIFIED GEN TOL. : 0.5 MM MAX.
3. UNSPECIFIED GEN ANG. TOL. : 0.1 MAX.
4. UNSPECIFIED ASLY. TOL. : 2MM MAX.
5. WEIGHT:- 565.92 GMS.

| TECHNICAL DATA | | | |
|--------------------------------|-------------------------|--------------------|---------|
| Seat | Pressure Rating | Temperature Rating | Orifice |
| Metal Seat | 6000 psi (41300 kpa) | PTFE | 4.80mm |
| | | -65 to 450°F | |
| | | -54 to 232°C | |
| See Pressure Temperature Graph | | | |

TITLE:- **NEEDLE VALVE WITH VENT, 1/2" BSPP MxF, WP.-6,000psi, GLOBE TYPE, METAL SEAT, NACE, SS316**

| | | |
|-------|----|---------------------|
| DRN. | PS | |
| CHD. | SS | DATE:- 19-May-20 |
| APPD. | DM | DWG NO.- VM-1/G1/2" |



APLISENS S.A.

SCALE - NTS

SHEET 1 OF 1

A4

